



# **MOBILE AND SEMI-FIXED UNITS TECHNICAL SHEETS**

**MAITEK S.r.l.**

Via Vittorio Alfieri, 8 – 61039 Ponte Rio di San Costanzo (PU) – Italy

Tel.: +39 0721 959340 / 957244 – Fax +39 0721 936623

Web: [www.maiteksrl.com](http://www.maiteksrl.com) E-mail: [info@maiteksrl.com](mailto:info@maiteksrl.com)

# M-TRACK-60-40 - Recycling tracked unit

## Mobile tracked unit to crush and recycle aggregates

Mobile tracked unit conceived to crush and recycle aggregates. It is suitable also for application in small working sites and to recycle low quantity of material.

This unit is equipped with a jaw crusher having hydraulic regulation of granulometry from 20 to 100 mm.

This is an extremely compact installation, with high production power and very easy to operate.



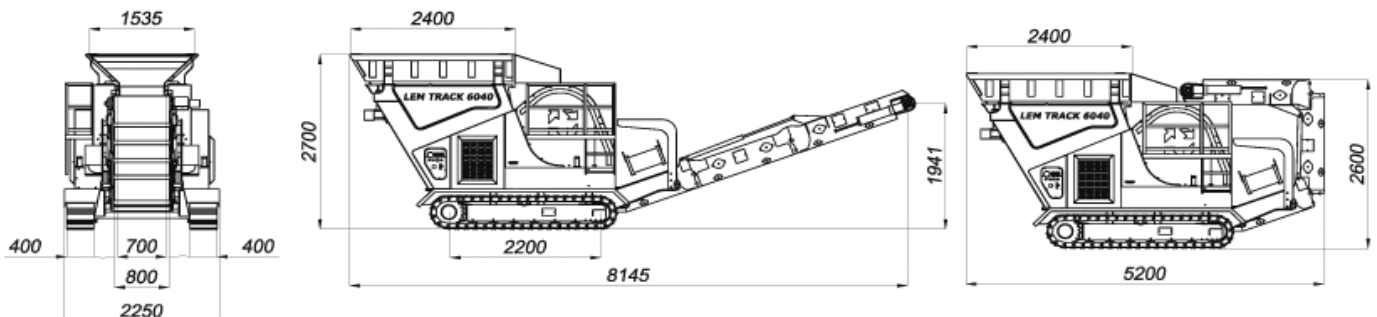
### TECHNICAL DATA

Crushing machine	Jaw crusher 600x400	
	Production (t/h)	0 - 65
Hopper	Capacity (m <sup>3</sup> )	2
Feeder	Grizzly type - (mm)	600 x 1500
Tracked unit	Pitch/Ext. width/Sliding shoe width (mm)	2200 / 2250 / 400
Power unit	Engine ISUZU 4 JG1 kW 67	
Total weight	(kg)	11500



### OPTIONALS:

- Magnetic belt
- Dust suppression system



THE ABOVE DATA ARE NOT BINDING AND THEY CAN BE ALTERED WITHOUT NOTICE

MAITEK s.r.l. - Pontorio di San Costanzo (PU) - 61039 - Italy

Tel: +39 (0721) 959340

E-mail: [info@maiteksrl.com](mailto:info@maiteksrl.com)

Fax: +39 (0721) 936623

Web site: [www.maiteksrl.com](http://www.maiteksrl.com)



# S-TRACK-11-22 - Screening tracked unit

## Mobile unit with vibrating inclined screen

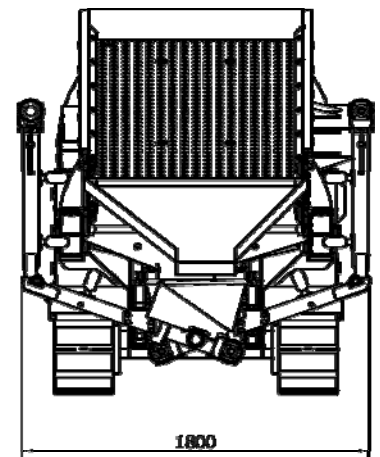
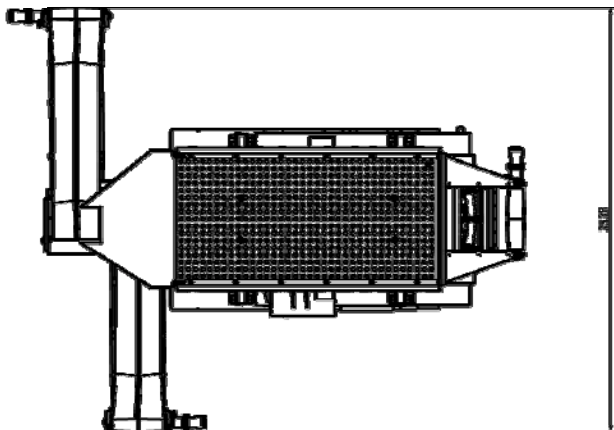
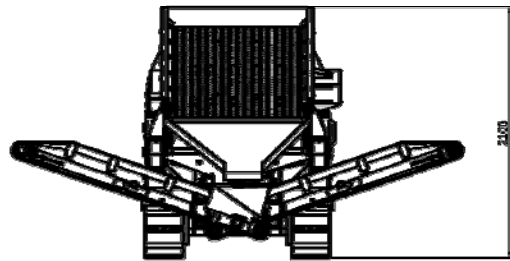
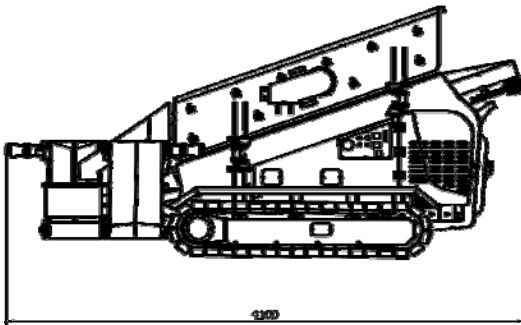
Mobile tracked screening unit equipped with an inclined vibrating screen. The system is studied to obtain a big variety of output products.

This unit has got hydraulic driving system and is equipped with control panel on board.



### TECHNICAL DATA

Screening machine	Vibrating inclined screen 1100x2200	
Belt under the screen n.1	Width x Length (mm)	500 x 2500
Foldable belts n.2	Width x Length (mm)	400 x 2000
Tracked unit	External width/Sliding shoe width (mm)	2250 / 400
Power unit	Engine ISUZU 3 CE1 kW 21	
Total weight	(kg)	3300



THE ABOVE DATA ARE NOT BINDING AND THEY CAN BE ALTERED WITHOUT NOTICE

MAITEK s.r.l. - Ponterio di San Costanzo (PU) - 61039 - Italy

Tel: +39 (0721) 959340

E-mail: [info@maiteksrl.com](mailto:info@maiteksrl.com)

Fax: +39 (0721) 936623

Web site: [www.maiteksrl.com](http://www.maiteksrl.com)



# MGC-MFP80 - Primary tracked unit

## Mobile unit equipped with primary jaw crusher

Primary self-moving crushing unit electrically operated, equipped with jaw crusher.

Thanks to various possibilities of configuration, the system is studied to permit adjustments on the feeding material and on the output product.

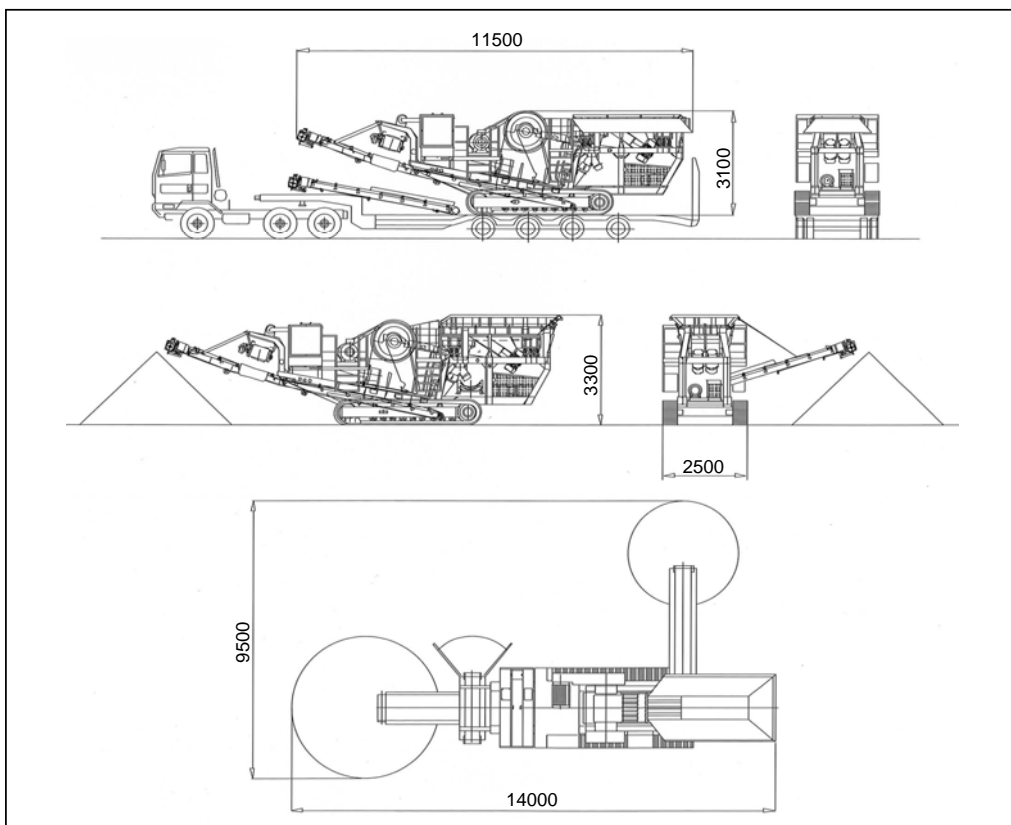
The unit has got hydraulic driving gear for tracks and for auxiliary services.

It is also complete with active and passive operator's safety catch and moving remote control.



### TECHNICAL DATA

Crushing machine	Jaw crusher 780x580	
	Feeding size (mm)	0 - 400
	Output size (mm)	50 - 150
	Production (t/h)	0 - 120
Hopper	Capacity (m <sup>3</sup> )	5
Feeder	Grizzly type	
Tracked unit	External width (mm)	2500
Power unit	Electric generator with diesel engine of 135 kVA	
Total weight	(kg)	27000



### OPTIONALS:

- Conveyor belts for waste
- Deferizzator
- Dust suppression system
- Remote control

THE ABOVE DATA ARE NOT BINDING AND THEY CAN BE ALTERED WITHOUT NOTICE

MAITEK s.r.l. - Ponterio di San Costanzo (PU) - 61039 - Italy

Tel: +39 (0721) 959340

E-mail: [info@maiteksrl.com](mailto:info@maiteksrl.com)

Fax: +39 (0721) 936623

Web site: [www.maiteksrl.com](http://www.maiteksrl.com)



# MGC-MFP90 - Primary tracked unit

## Mobile unit equipped with primary jaw crusher

Primary self-moving crushing unit electrically operated, equipped with jaw crusher.

Thanks to various possibilities of configuration, the system is studied to permit adjustments on the feeding material and on the output product.

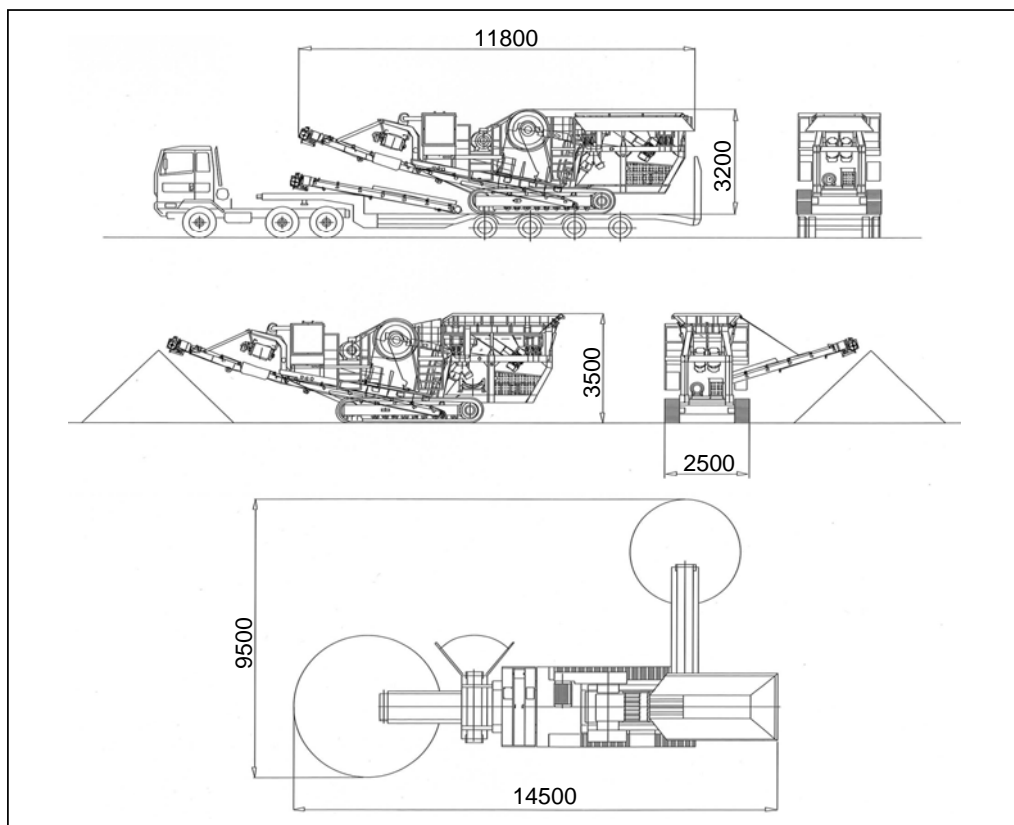
The unit has got hydraulic driving gear for tracks and for auxiliary services.

It is also complete with active and passive operator's safety catch and moving remote control.



### TECHNICAL DATA

Crushing machine	Jaw crusher 900 x580	
	Feeding size (mm)	0 - 500
	Output size (mm)	65 - 160
	Production (t/h)	0 - 160
Hopper	Capacity (m <sup>3</sup> )	5
Feeder	Grizzly type	
Tracked unit	External width (mm)	2500
Power unit	Electric generator with diesel engine of 135 kVA	
Total weight	(kg)	30000



### OPTIONALS:

- Conveyor belts for waste
- Deferizzator
- Dust suppression system
- Remote control

THE ABOVE DATA ARE NOT BINDING AND THEY CAN BE ALTERED WITHOUT NOTICE

MAITEK s.r.l. - Ponterio di San Costanzo (PU) - 61039 - Italy

Tel: +39 (0721) 959340

E-mail: [info@maitek srl](mailto:info@maitek srl)

Fax: +39 (0721) 936623

Web site: [www.maitek srl](http://www.maitek srl)



# MGC-MFP100 - Primary tracked unit

## Mobile unit equipped with primary jaw crusher

Primary self-moving crushing unit electrically operated, equipped with jaw crusher.

Thanks to various possibilities of configuration, the system is studied to permit adjustments on the feeding material and on the output product.

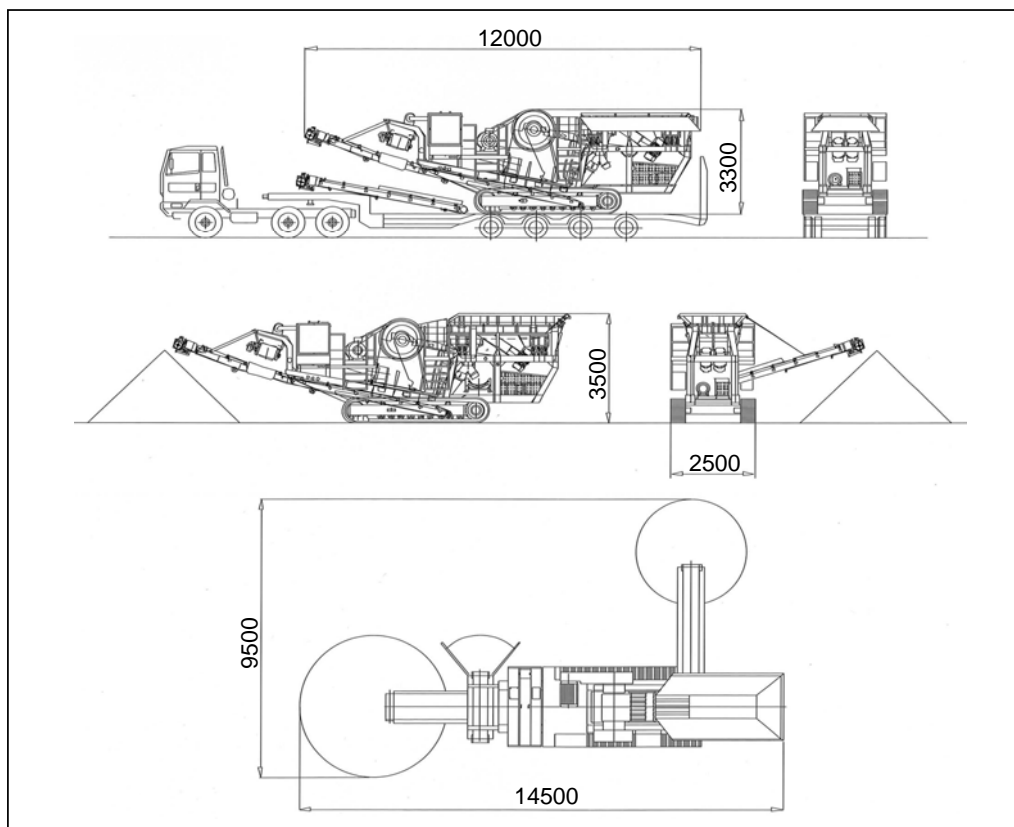
The unit has got hydraulic driving gear for tracks and for auxiliary services.

It is also complete with active and passive operator's safety catch and moving remote control.



### TECHNICAL DATA

Crushing machine	Jaw crusher 980 x 780	
	Feeding size (mm)	0 - 600
	Output size (mm)	80 - 140
	Production (t/h)	0 - 250
Hopper	Capacity (m <sup>3</sup> )	6
Feeder	Grizzly type	
Tracked unit	External width (mm)	2500
Power unit	Electric generator with diesel engine of 135 kVA	
Total weight	(kg)	38000



### OPTIONALS:

- Conveyor belts for waste
- Deferizzator
- Dust suppression system
- Remote control

THE ABOVE DATA ARE NOT BINDING AND THEY CAN BE ALTERED WITHOUT NOTICE

MAITEK s.r.l. - Ponterio di San Costanzo (PU) - 61039 - Italy

Tel: +39 (0721) 959340

E-mail: [info@maitek srl.com](mailto:info@maitek srl.com)

Fax: +39 (0721) 936623

Web site: [www.maitek srl.com](http://www.maitek srl.com)



# MGC-MFP120 - Primary tracked unit

## Mobile unit equipped with primary jaw crusher

Primary self-moving crushing unit electrically operated, equipped with jaw crusher.

Thanks to various possibilities of configuration, the system is studied to permit adjustments on the feeding material and on the output product.

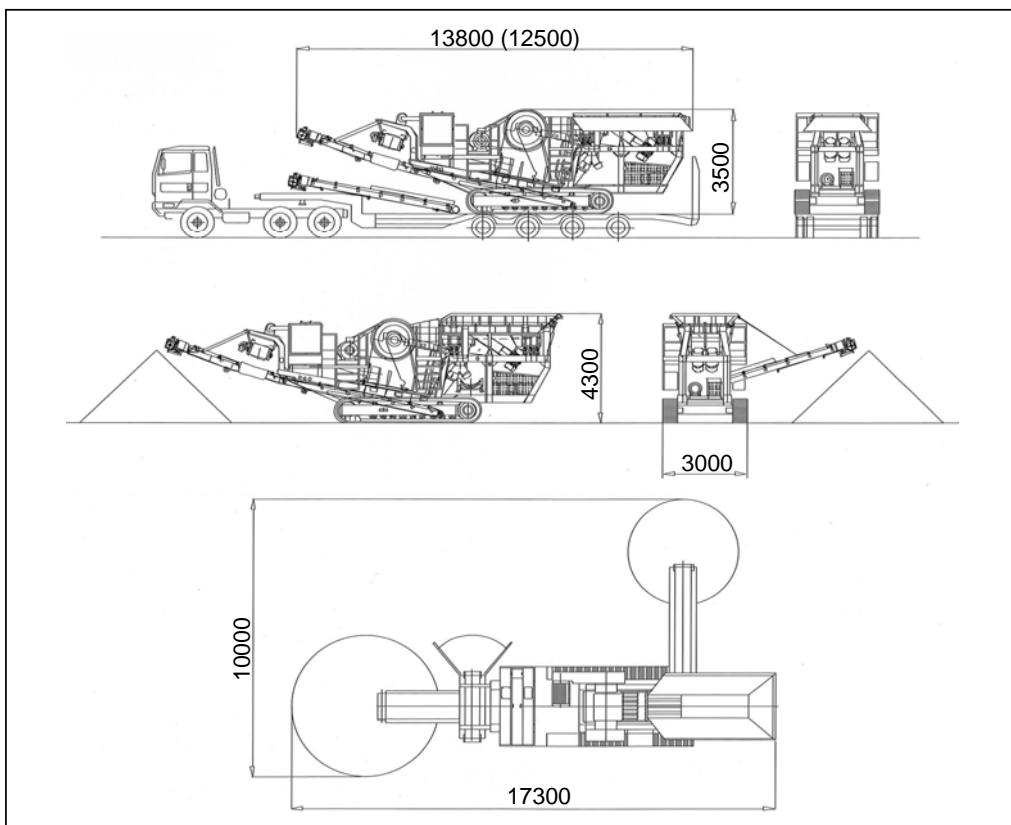
The unit has got hydraulic driving gear for tracks and for auxiliary services.

It is also complete with active and passive operator's safety catch and moving remote control.



### TECHNICAL DATA

Crushing machine	Jaw crusher 1180x1000	
	Feeding size (mm)	0 - 800
	Output size (mm)	100 - 220
	Production (t/h)	0 - 300
Hopper	Capacity (m <sup>3</sup> )	8
Feeder	Grizzly type	
Tracked unit	External width (mm)	3000
Power unit	Electric generator with diesel engine of 230 kVA	
Total weight	(kg)	55000



### OPTIONALS:

- Conveyor belts for waste
- Deferizzator
- Dust suppression system
- Remote control

THE ABOVE DATA ARE NOT BINDING AND THEY CAN BE ALTERED WITHOUT NOTICE

MAITEK s.r.l. - Ponterio di San Costanzo (PU) - 61039 - Italy

Tel: +39 (0721) 959340

E-mail: [info@maiteksrl.com](mailto:info@maiteksrl.com)

Fax: +39 (0721) 936623

Web site: [www.maiteksrl.com](http://www.maiteksrl.com)



# MGC-MMP100 - Primary tracked unit

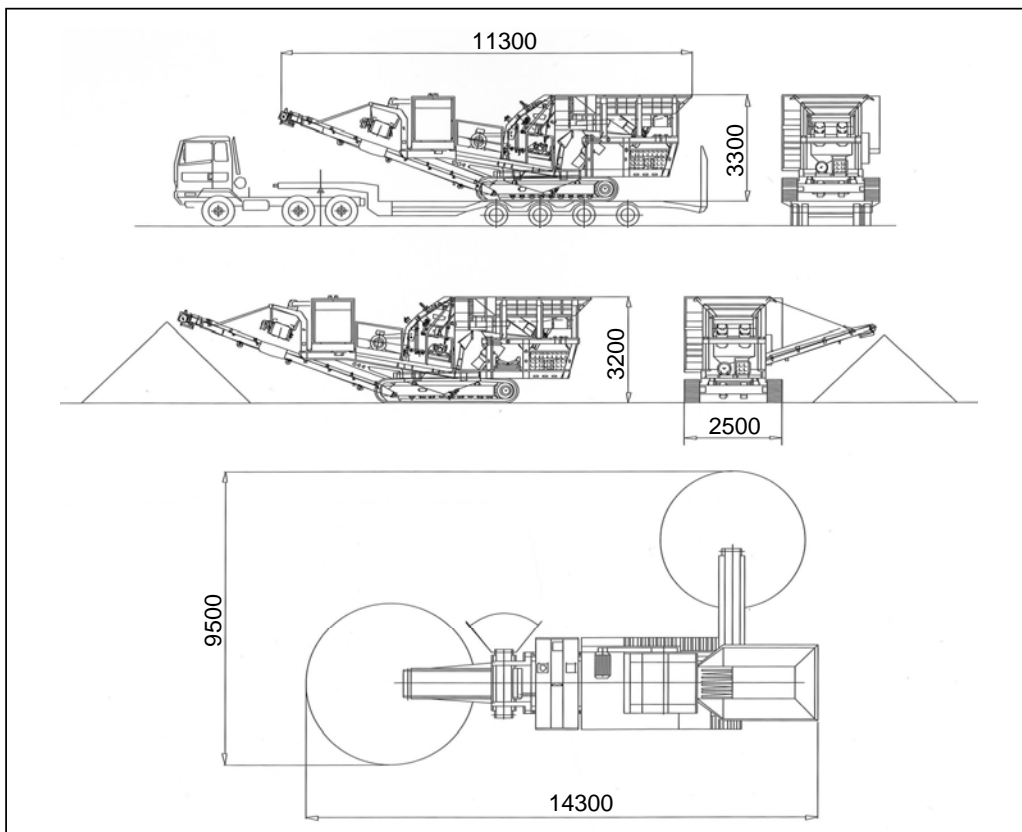
## Mobile unit equipped with primary impact crusher

Primary self-moving crushing unit electrically operated equipped with impact crusher. Thanks to various possibilities of configuration, the system is studied to permit adjustments on the feeding material and on the output product. These units are suitable also for recycling the waste from demolitions. The unit has got hydraulic driving gear for tracks and for auxiliary services. It is also complete with active and passive operator's safety catch and moving remote control.



### TECHNICAL DATA

Crushing machine	Impact crusher 950x800	
	Feeding size (mm)	0 - 500
	Production (t/h)	0 - 180
Hopper	Capacity (m <sup>3</sup> )	5
Feeder	Grizzly type	
Tracked unit	External width (mm)	2500
Power unit	Electric generator with diesel engine of 164 kVA	
Total weight	(kg)	28500



### OPTIONALS:

- Conveyor belts for waste
- Deferizzator
- Dust suppression system
- Remote control

THE ABOVE DATA ARE NOT BINDING AND THEY CAN BE ALTERED WITHOUT NOTICE

MAITEK s.r.l. - Ponterio di San Costanzo (PU) - 61039 - Italy

Tel: +39 (0721) 959340

E-mail: info@maitek srl.com

Fax: +39 (0721) 936623

Web site: www.maitek srl.com





# MGC-MMP130 - Primary tracked unit

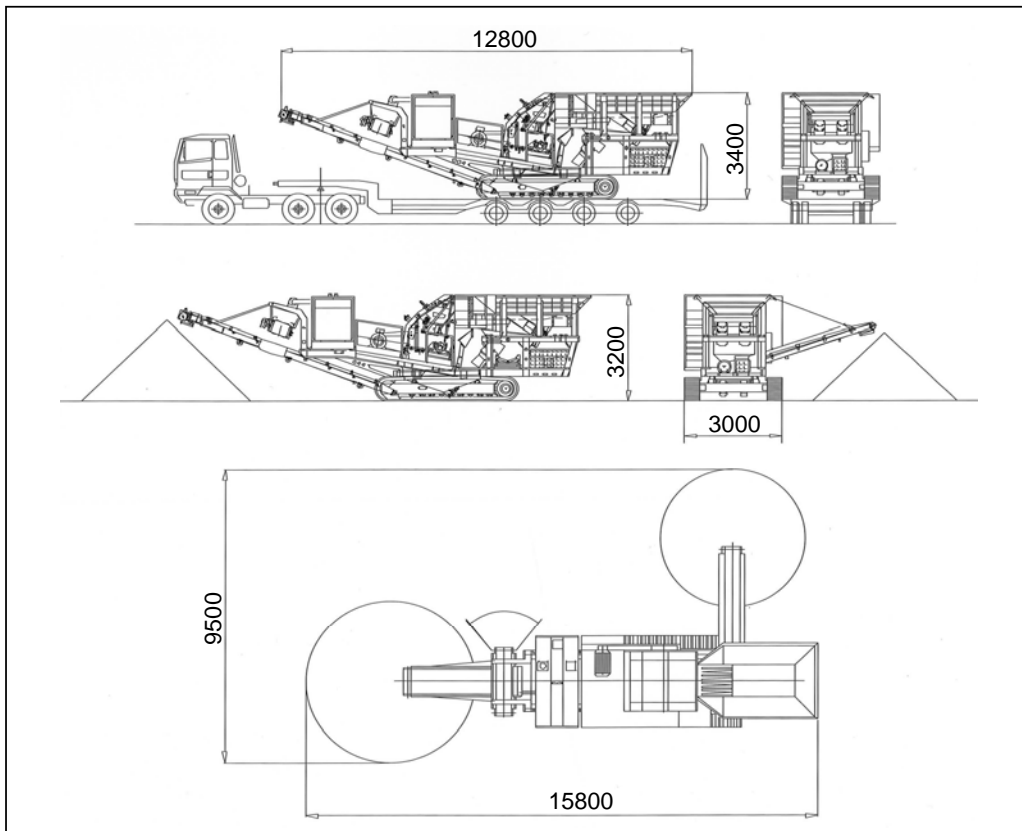
Mobile unit equipped with primary impact crusher

Primary self-moving crushing unit electrically operated, equipped with impact crusher. Thanks to various possibilities of configuration, the system is studied to permit adjustments on the feeding material and on the output product. These units are suitable also for recycling the waste from demolitions. The unit has got hydraulic driving gear for tracks and for auxiliary services. It is also complete with active and passive operator's safety catch and moving remote control.



## TECHNICAL DATA

Crushing machine	Impact crusher 1350x1000	
	Feeding size (mm)	0 - 750
	Production (t/h)	0 - 250
Hopper	Capacity (m <sup>3</sup> )	6
Feeder	Grizzly type	
Tracked unit	External width (mm)	3000
Power unit	Electric generator with diesel engine of 250 kVA	
Total weight	(kg)	33000



## OPTIONALS:

- Conveyor belts for waste
- Deferizzator
- Dust suppression system
- Remote control

THE ABOVE DATA ARE NOT BINDING AND THEY CAN BE ALTERED WITHOUT NOTICE

MAITEK s.r.l. - Ponterio di San Costanzo (PU) - 61039 - Italy

Tel: +39 (0721) 959340

E-mail: info@maiteksrl.com

Fax: +39 (0721) 936623

Web site: www.maiteksrl.com



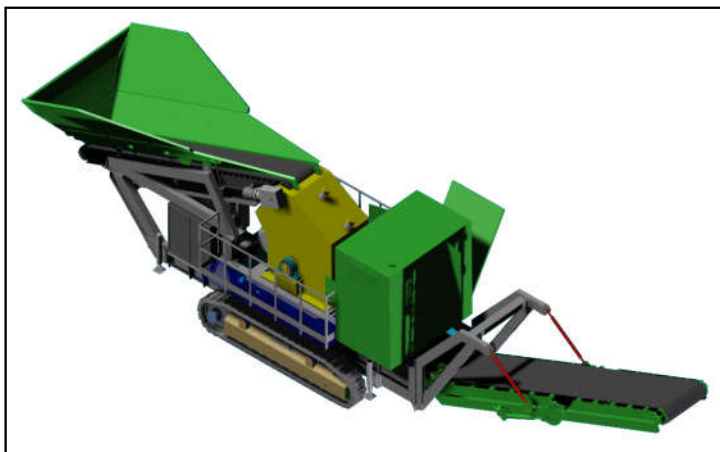
# MGC-MMS100 - Secondary tracked unit

## Mobile unit equipped with secondary impact crusher

Secondary self-moving crushing unit, electrically operated, equipped with impact crusher.

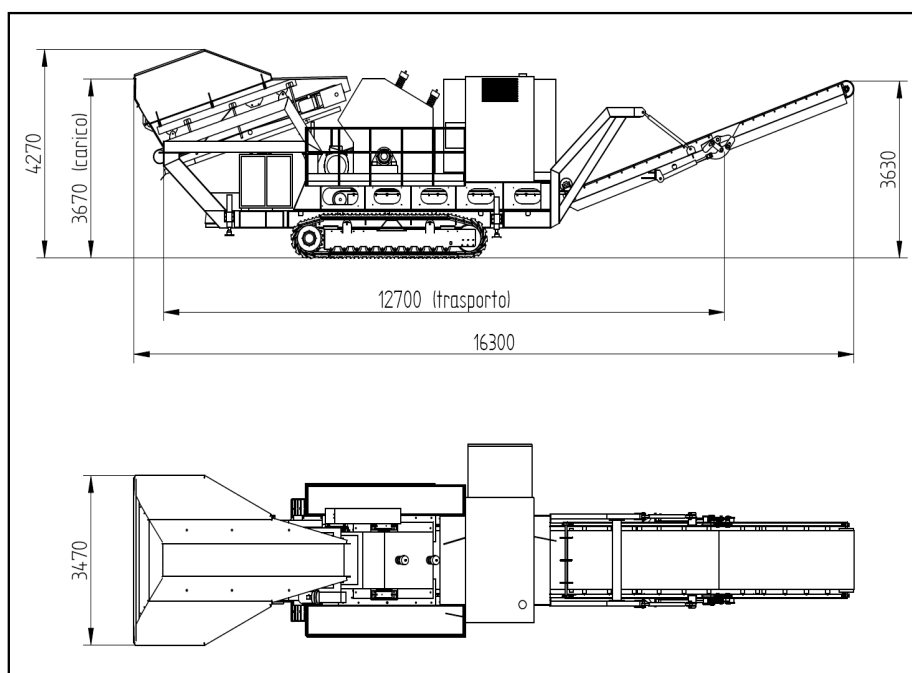
Thanks to various possibilities of machine's configuration, the system is studied to permit adjustments on the output product. The unit has got hydraulic driving gear for tracks and for auxiliary services.

It is also complete with active and passive operator's safety catch and moving remote control.



### TECHNICAL DATA

Crushing machine	Impact crusher 8.5 (800x500)	
	Feeding size (mm)	0 - 450
	Output size (mm)	0 - 80
	Production (t/h)	0 - 160
Hopper	Capacity (m <sup>3</sup> )	5
Feeding conveyor belt	Width x Length (mm)	800 x 4200
Tracked unit	Pitch/Ext. width/Sliding shoe width	3620 / 2550 / 450 (mm)
Power unit	Electric generator with diesel engine of 220 kVA	
Total weight	(kg)	34000



### OPTIONALS:

- Recycling conveyor belt
- Dust suppression system
- Remote control

THE ABOVE DTA ARE NOT BINDING AND THY CAN BE ALTERED WITHOUT NOTICE

MAITEK s.r.l. - Ponterio di San Costanzo (PU) - 61039 - Italy

Tel: +39 (0721) 959340

E-mail: info@maiteksrl.com

Fax: +39 (0721) 936623

Web site: www.maiteksrl.com



# MGC-MCC - Secondary tracked unit

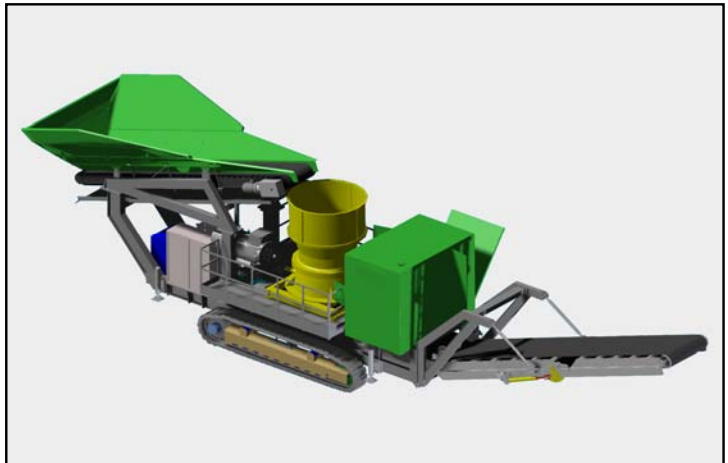
## Mobile unit equipped with cone crusher

The secondary self-moving crushing unit, electrically operated, is equipped with cone crusher.

Thanks to various possibilities of machine's configuration, the system is studied to permit adjustments on the feeding material and on the output product.

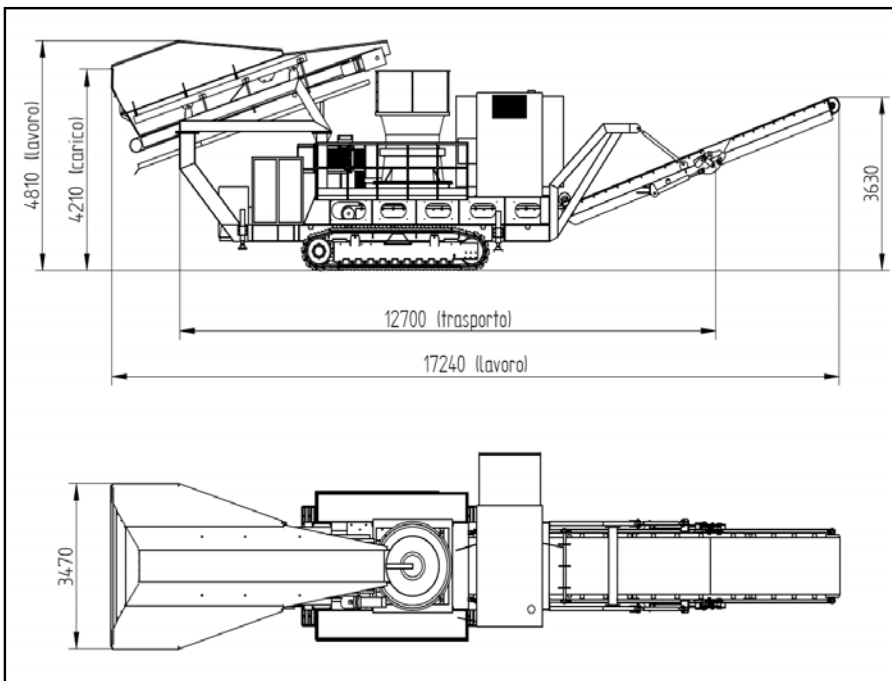
The unit has got hydraulic driving gear for tracks and for auxiliary services.

It is also complete with active and passive operator's safety catch and moving remote control .



### TECHNICAL DATA

Crushing machine	Cone crusher MCH-380 / Cone crusher MCS-380	
	Feeding size (mm)	0 - 190 / 0 - 360
	Output size (mm)	6 - 38 / 19 - 54
	Production (t/h)	0 - 200 / 0 - 200
Hopper	Capacity (m <sup>3</sup> )	5
Feeding conveyor belt	Width x Length (mm)	800 x 4200
Tracked unit	Pitch/Ext. width/Sliding shoe width	3620 / 2550 / 450 (mm)
Power unit	Electric generator with diesel engine of 350 kVA	
Total weight	(kg)	32000



### OPTIONALS:

- Recycling conveyor belt
- Dust suppression system
- Remote control

THE ABOVE DATA ARE NOT BINDING AND THY CAN BE ALTERED WITHOUT NOTICE

MAITEK s.r.l. - Ponterio di San Costanzo (PU) - 61039 - Italy

Tel: +39 (0721) 959340

E-mail: info@maiteksrl.com

Fax: +39 (0721) 936623

Web site: www.maiteksrl.com



# MGC-MMV - Secondary or tertiary tracked unit

## Mobile unit equipped with vertical shaft impact crusher

The secondary self-moving crushing unit, electrically operated, is equipped with modular vertical shaft impact crusher.

Thanks to various possibilities of machine's configuration, the system is studied to permit adjustments on the feeding material and on the output product.

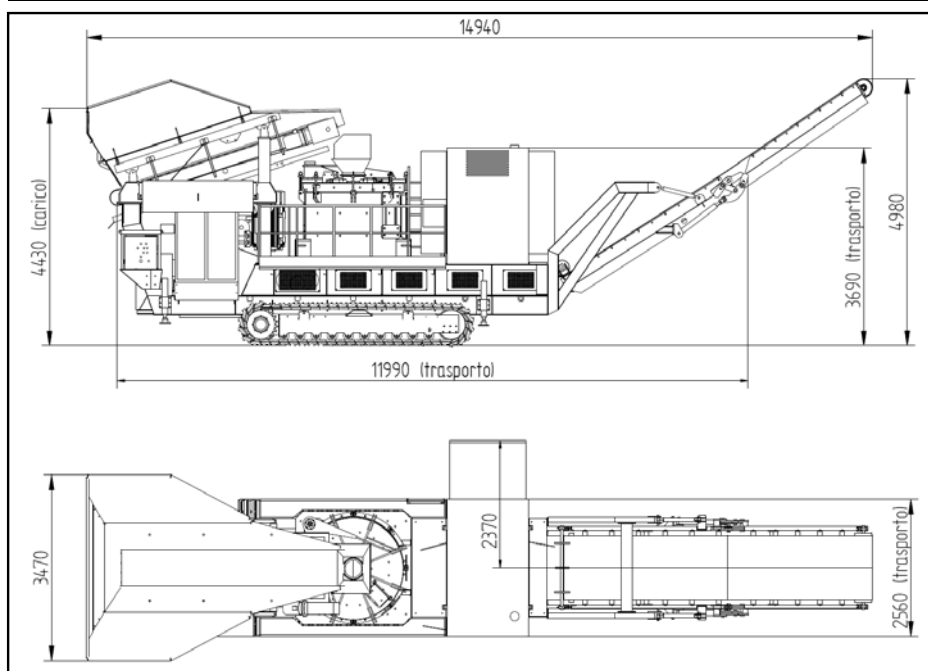
The unit has got hydraulic driving gear for tracks and for auxiliary services.

It is also complete with active and passive operator's safety catch and vertical shaft impact crusher monitoring, moving remote control included.



### TECHNICAL DATA

Crushing machine	Vertical shaft impact crusher MMV-210 / Vertical shaft impact crusher MMV-240	
	Feeding size (mm)	0 - 80 / 0 - 130
	Output size : it depends on max feeding size and on adjustments	
	Production (t/h)	0 - 150 / 0 - 200
Hopper	Capacity (m <sup>3</sup> )	5
Feeding conveyor belt	Width x Length (mm)	800 x 4200
Tracked unit	Pitch/Ext. width/Sliding shoe width (mm)	3620 / 2550 / 450
Power unit	Electric generator with diesel engine of 350 kVA	
Total weight	(kg)	36000



### OPTIONALS:

- Recycling conveyor belt
- Dust suppression system
- Remote control

THE ABOVE DATA ARE NOT BINDING AND THEY CAN BE ALTERED WITHOUT NOTICE

MAITEK s.r.l. - Ponterio di San Costanzo (PU) - 61039 - Italy

Tel: +39 (0721) 959340

E-mail: info@maiteksrl.com

Fax: +39 (0721) 936623

Web site: www.maiteksrl.com



# MGS - Primary semi-fixed unit

Unit on skid equipped with jaw crusher (or impact crusher) and inclined screen

The semi-fixed primary crushing and screening unit is equipped with jaw crusher or impact crusher and inclined screen with free oscillation.

Thanks to various possibilities in jaw crusher or impact crusher adjusting and in preparing screen with 2 or 3 decks, the system is studied to obtain a very flexible use.

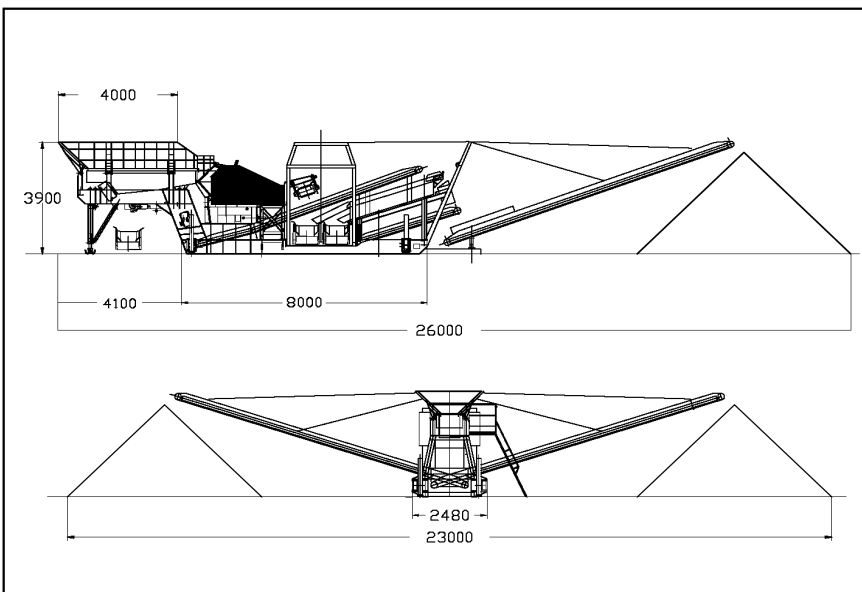
The conveyor belts are too long in order to produce piles with a very high capacity.

The unit has got hydraulic driving gear for auxiliary services and for all operator's safety catches.



## TECHNICAL DATA

Crushing machine	Jaw crusher 750x500 / Impact crusher 1000x800	
Screening machine	Inclined screen with free oscillation 1200 x 3000 with 2 decks	
	Feeding size (mm)	0 - 400
	Number of output sizes	3
	Production (t/h)	0 - 100
Hopper	Capacity (m <sup>3</sup> )	4 - 5
Feeder	Grizzly type - Width x Length (mm)	650 x 4000
Reversible conveyor belt	Width x Length (mm)	700 x 1200
Extracting conveyor belt from jaw crusher	Width x Length (mm)	650 x 8100
Extracting conveyor belt from screen	Width x Length (mm)	650 x 3500
Stocking conveyor belts	N. 2 fixed conveyors + N. 1 rotating conveyor	500 x 9000
Conveyor belt	Width x Length (mm)	500 x 7000
Power unit	Electric generator with diesel engine of 130 kVA	
Total weight	(kg)	42000



## OPTIONALS:

- Dust suppression system
- Deferizzator

THE ABOVE DATA ARE NOT BINDING AND THEY CAN BE ALTERED WITHOUT NOTICE

MAITEK s.r.l. - Ponterio di San Costanzo (PU) - 61039 - Italy

Tel: +39 (0721) 959340

E-mail: info@maiteksrl.com

Fax: +39 (0721) 936623

Web site: www.maiteksrl.com



# MGC-MMTC-MMTR-MVI

## SELF-MOVING CRUSHING AND SCREENING TRACKED UNITS FOR SAND PRODUCTION

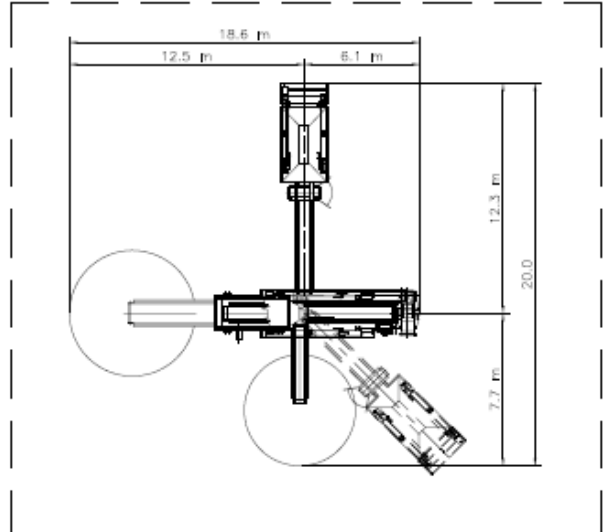
**Self-moving unit with loading hopper and secondary crushing and screening self-moving unit with reversible impact crusher for sand production (0/4 – 0/6 mm)**

Our self-moving crushing and screening tracked unit for sand production is made of the following semi-mobile units :

- 1) N°1 self-moving unit with a loading hopper of 9 m<sup>3</sup>
- 2) N°1 secondary or tertiary crushing and screening self-moving unit electrically operated equipped with reversible impact crusher and free oscillation vibrating screen.

Thanks to the impact crusher adjusting possibilities and to the screen fitting out, the system is studied to have a very flexible use.

The units have got oleo-dynamic (hydraulic) driving gears for tracks and for the auxiliary services; they also have got operator security and impact crusher monitoring devices and a remote control for moving.



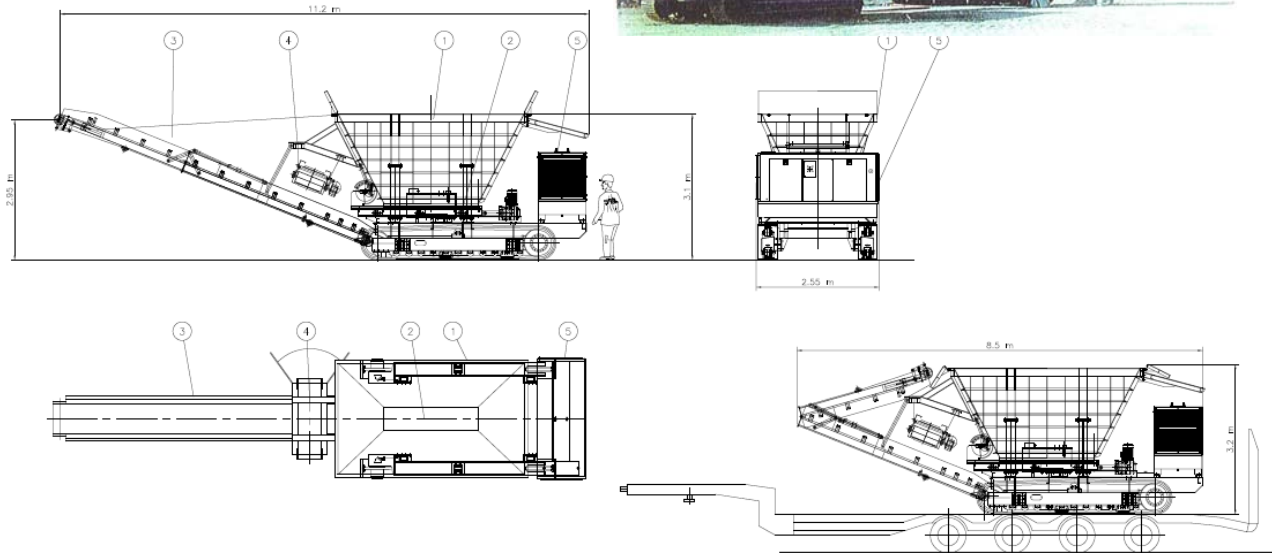
	1) MGC-MMTC	2) MGC-MMTR-MVI
Max feeding size (mm)	5/50	
Production (ton/h)		100
Hopper (m3)	9	-
Feeder	RECIPROCATING 650x2500	-
Feeding conveyor belt	800x7000	1000x7000
Conveyor belt	-	500x6000
Reversible conveyor belt	-	500x1500
Screen conveyor belt	-	650x10500
Impact conveyor belt	-	650x6500
Feeder impact crusher		Vibrating 500x1200
Screen machine mod.	-	INCLINED SCREEN with FREE OSCILLATION MVI 1500 x 4000 with 2 decks
Crushing machine mod.	-	Reversible impact crusher 600x250
Tracked unit Pitch/Ext. width/Sliding shoe width	3620 / 2550 / 450	3620 / 2550 / 450
Power unit	Electric generator with diesel engine of 164 kVA	Electric plant 150 kw
Total weight (kg)	----	-----



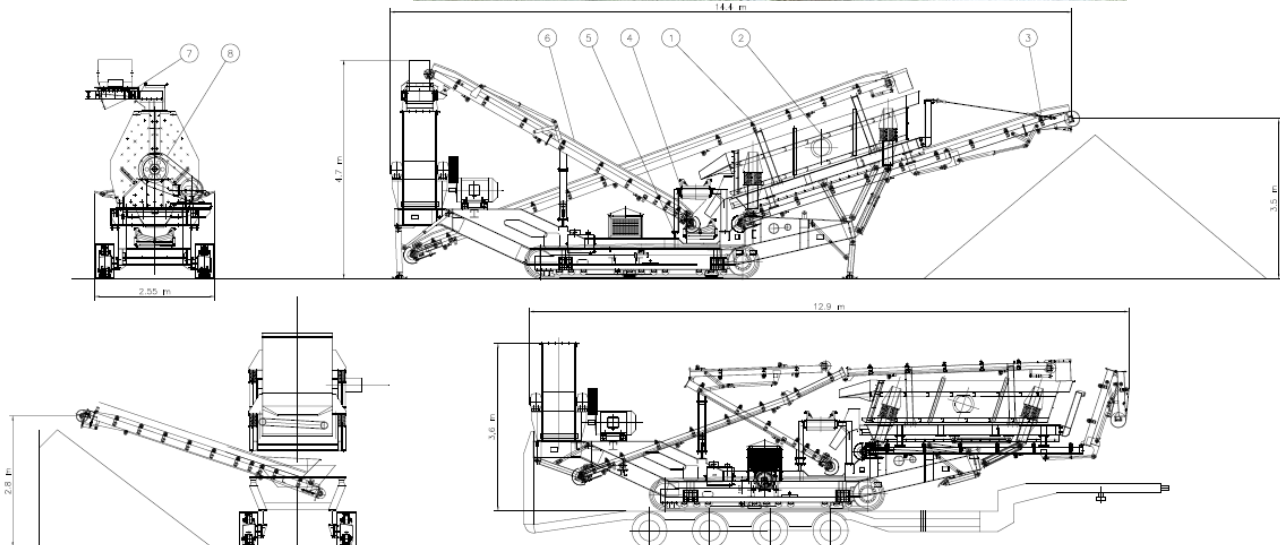
# MGC-MMTC-MMTR-MVI

## SELF-MOVING CRUSHING AND SCREENING TRACKED UNITS FOR SAND PRODUCTION

### 1) MGC-MMTC



### 2) MGC-MMTR-MVI



# MGC - Screening tracked units

## Mobile units equipped with vibrating screen

The compact self-moving screening units are equipped with vibrating screen. Thanks to various possibilities in preparing the machines, the system is studied to obtain a big variety of output products. The units have got hydraulic driving gear for tracks and auxiliary services. They are also complete with active and passive operator's safety catch and moving remote control.



MVV

### TECHNICAL DATA

Model	LENGHT	WIDTH	HEIGHT	max PRODUCTION	POWER (KW)
MVV1240 2P/3P	9,9	2,5	3,15	120	24+15
MVV1540 2P/3P	9,9	3,0	3,15	180	35+18,5
MVV1550 2P/3P	10,9	3,0	3,15	200	38+18,5
MVV1850 2P/3P	11,1	3,0	3,15	250	50+18,5
MVS1540 2P	11,5	2,5	3,45	180	33+18,5
MGP 330/2	11,6/6,4	2,5	3,1	500	47,8



MVS

### OPTIONALS:

- Dust suppression system
- Remote control



MGP

THE ABOVE DATA ARE NOT BINDING AND THEY CAN BE ALTERED WITHOUT NOTICE

MAITEK s.r.l. - Ponterio di San Costanzo (PU) - 61039 - Italy

Tel: +39 (0721) 959340

E-mail: [info@maiteksrl.com](mailto:info@maiteksrl.com)

Fax: +39 (0721) 936623

Web site: [www.maiteksrl.com](http://www.maiteksrl.com)





# MGS-MFP - Primary semi-fixed unit

## Unit on skid equipped with primary jaw crusher

The compact semi-fixed primary crushing unit, electrically operated is equipped, with jaw crusher.

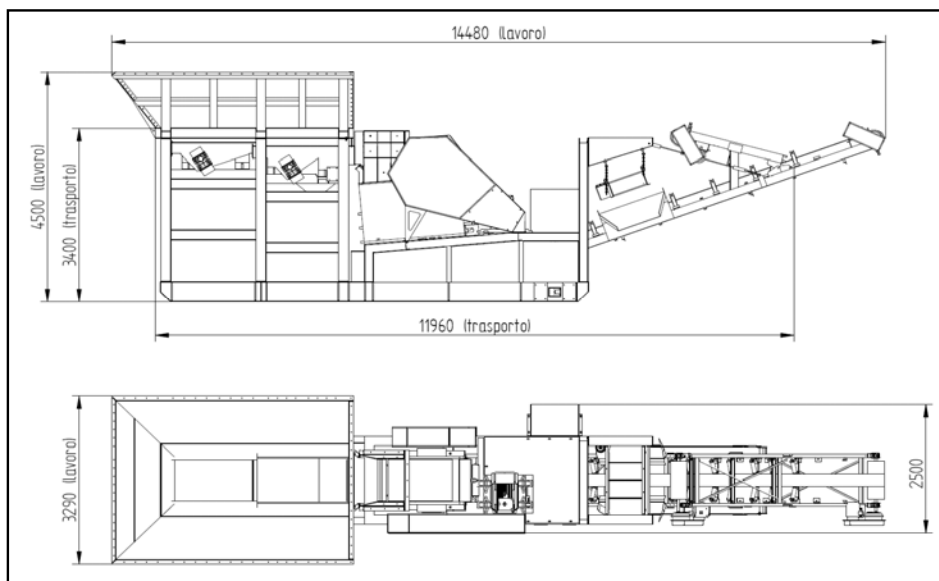
Thanks to possibility in introducing different jaw crusher adjustments and different feeding unit configurations, the system is studied to obtain a very high capacity and a very flexible use.

The feeding hopper has got a considerable capacity while the vibrating feeder can be prepared with a primary screening stage in order to operate the by-pass or the waste of the input material. An additional conveyor belt permits the waste output.



### TECHNICAL DATA

Crushing machine	Jaw crusher 750 x 500 / Jaw crusher 900 x 600	
	Feeding size (mm)	0 - 400 / 0 - 500
	Output size (mm)	0 - 150 / 0 - 150
	Production (t/h)	0 - 100 / 0 - 150
Hopper	Capacity (m <sup>3</sup> )	8,5
Vibrating feeder	Width x Length (mm)	700 x 3100 / 900 x 3800
Extracting conveyor belt from crusher	Width x Length (mm)	800 x 10000
Electric cabinet with control panel on board		
External power supply	Max power (kW)	75 / 100
Total weight	(kg)	23000



### OPTIONALS:

- "Grizzly" feeder
- Conveyor belt for waste
- Deferizzator
- Dust suppression system

THE ABOVE DATA ARE NOT BINDING AND THEY CAN BE ALTERED WITHOUT NOTICE

MAITEK s.r.l. - Ponterio di San Costanzo (PU) - 61039 - Italy

Tel: +39 (0721) 959340

E-mail: [info@maitek srl.com](mailto:info@maitek srl.com)

Fax: +39 (0721) 936623

Web site: [www.maitek srl.com](http://www.maitek srl.com)



# MGG - TYRED CRUSHING AND SCREENING UNIT

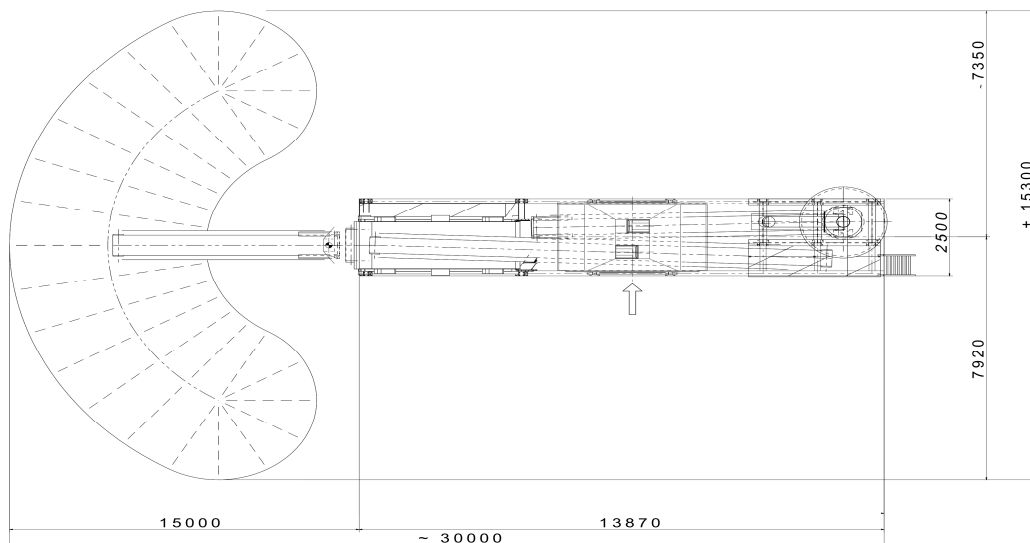
## Tyred mobile unit with vertical shaft impact crusher and screen

The tyred semi-mobile secondary / tertiary crushing and screening unit, electrically operated, is equipped with vertical shaft impact crusher and inclined screen.

Thanks to possibility in making different adjustments and configurations on the machines, the system is studied to obtain a very flexible use. An inverter permits the impact crusher driving. This unit has got hydraulic system for auxiliary services and operator's safety coach, it is also approved for running on roads.



TECHNICAL DATA	Max feeding size (mm)	40
	Production (t/h)	0-50
	Output size : it depends on feeding size and on adjustments	
Feeding hopper	Capacity (m <sup>3</sup> )	6
Crushing machine	Vertical shaft impact crusher MMV-210	
Screening machine	Free oscillation inclined MVI-150-400-2 decks	
Vibrating feeder (under the hopper)	MAV-060	
Vibrating feeder (under the crusher)	MAV-050	
Feeding conveyor	Width x Length (mm)	650 x 8400
Conveyor (from the crusher to the screen)	Width x Length (mm)	650 x 13400
Conveyor (sand outlet under the screen)	Width x Length (mm)	1000 x 4000
Mobileg conveyor (sand piling)	Width x Length (mm)	650 x 6000
Electric cabinet with control panel	Inverter-driven crusher	
Installed power (kW)	195 KW	
Approx. overall dimensions when working	Width x Length x Height (mm)	2500 x 20500 x 4800



THE ABOVE DATA ARE NOT BINDING AND THEY CAN BE ALTERED WITHOUT NOTICE

MAITEK s.r.l. - Pontorio di San Costanzo (PU) - 61039 - Italy

Tel: +39 (0721) 959340

Fax: +39 (0721) 936623

E-mail: [info@maiteksrl.com](mailto:info@maiteksrl.com)

Web site: [www.maiteksrl.com](http://www.maiteksrl.com)



# MGS-MMP - Primary semi-fixed unit

## Unit on skid equipped with primary impact crusher

The compact semi-fixed primary crushing unit, electrically operated is equipped, with impact crusher.

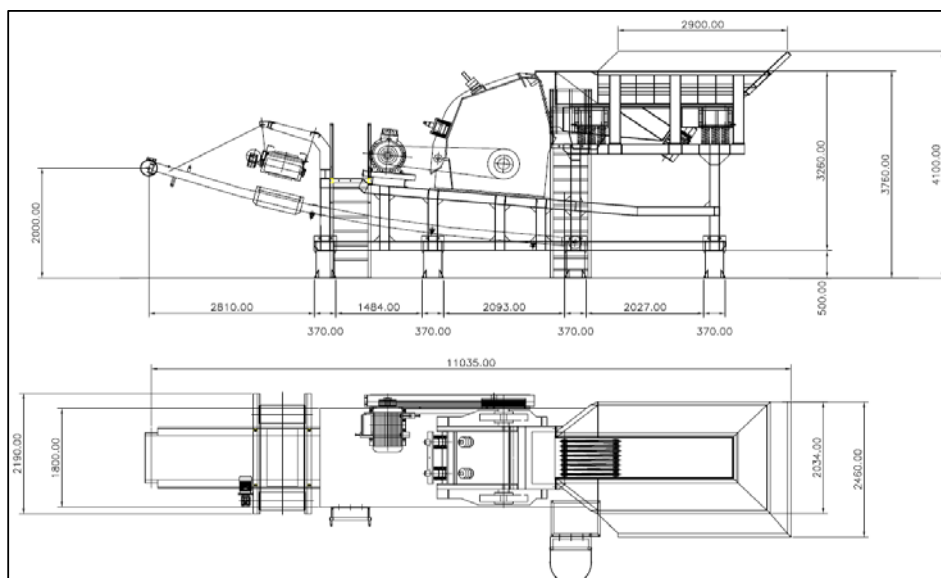
Thanks to possibility in introducing different jaw crusher adjustments and different feeding unit configurations, the system is studied to obtain a very high capacity and a very flexible use.

The feeding hopper has got a considerable capacity while the vibrating feeder can be prepared with a primary screening stage in order to operate the by-pass or the waste of the input material. An additional conveyor belt permits the waste output.



### TECHNICAL DATA

Crushing machine	Impact Crusher 1000x800	
	Feeding size (mm)	0 - 500
	Output size (mm)	0 - 150
	Production (t/h)	0 - 150
Hopper	Capacity (m <sup>3</sup> )	8,5
Vibrating feeder	Width x Length (mm)	1000 x 3500
Extracting conveyor belt from crusher	Width x Length (mm)	800 x 10000
Electric cabinet with control panel on board		
External power supply	Max power (kW)	173,9
Total weight	(kg)	23000



### OPTIONALS:

- "Grizzly" feeder
- Conveyor belt for waste
- Deferizzator
- Dust suppression system

THE ABOVE DAT ARE NOT BINDING AND THEY CAN BE ALTERED WITHOUT NOTICE

MAITEK s.r.l. - Ponterio di San Costanzo (PU) - 61039 - Italy

Tel: +39 (0721) 959340

E-mail: [info@maitek srl.com](mailto:info@maitek srl.com)

Fax: +39 (0721) 936623

Web site: [www.maitek srl.com](http://www.maitek srl.com)



# MGS-MMV - Secondary or tertiary semi-fixed unit

## Unit on skid equipped with vertical shaft impact crusher

The compact semi-fixed, electrically operated, is equipped with modular vertical shaft impact crusher.

Thanks to various possibilities of machine's configuration, the system is studied to permit adjustments on the feeding material and on the output product.

The unit has complete with active and passive operator's safety catch and vertical shaft impact crusher monitoring.

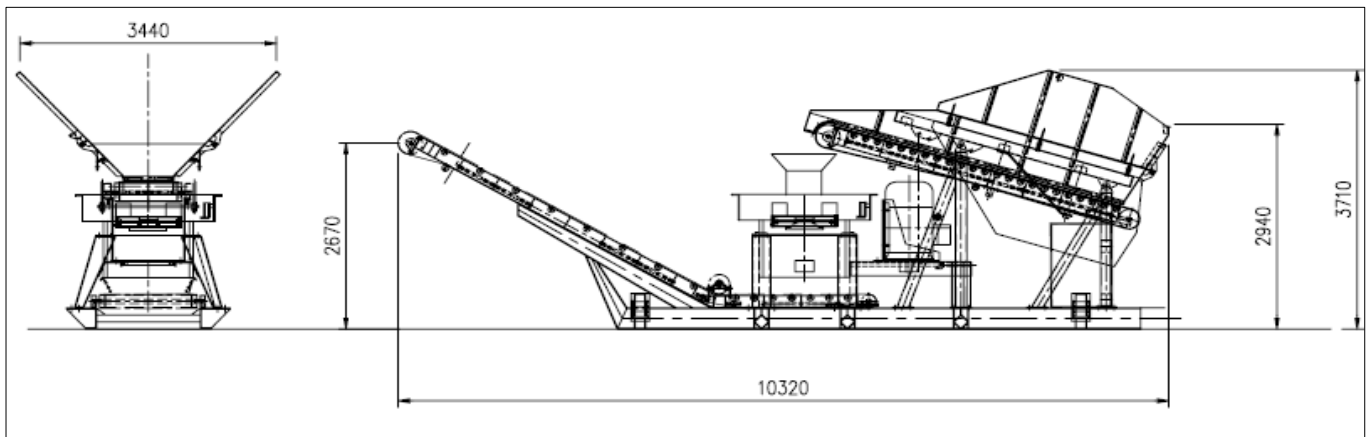


### TECHNICAL DATA

Crushing machine	Vertical shaft impact crusher MMV-210	
	Feeding size (mm)	0 - 80
	Production (t/h)	0 - 150
	Output product: it depends on feeding size and on adjustment	
Hopper	Capacity (m <sup>3</sup> )	8
Feeding conveyor belt	Width x Length (mm)	800 x 4200 (variable capacity) 7,5 kw
Extracting conveyor belt from crusher	Width x Length (mm)	1200 x 12000 15 kW
Electric cabinet with control panel on board		
External power supply	Max power (kW)	182,5
Total weight	(kg)	18000

### OPTIONALS:

- Dust suppression system
- Remote control



THE ABOVE DATA ARE NOT BINDING AND THEY CAN BE ALTERED WITHOUT NOTICE

MAITEK s.r.l. - Ponterio di San Costanzo (PU) - 61039 - Italy

Tel: +39 (0721) 959340

E-mail: info@maiteksrl.com

Fax: +39 (0721) 936623

Web site: www.maiteksrl.com



# MGS-MMTR - Secondary or tertiary semi-fixed unit

## Unit on skid equipped with reversible impact crusher

The compact semi-fixed , electrically operated, is equipped with reversible impact crusher.

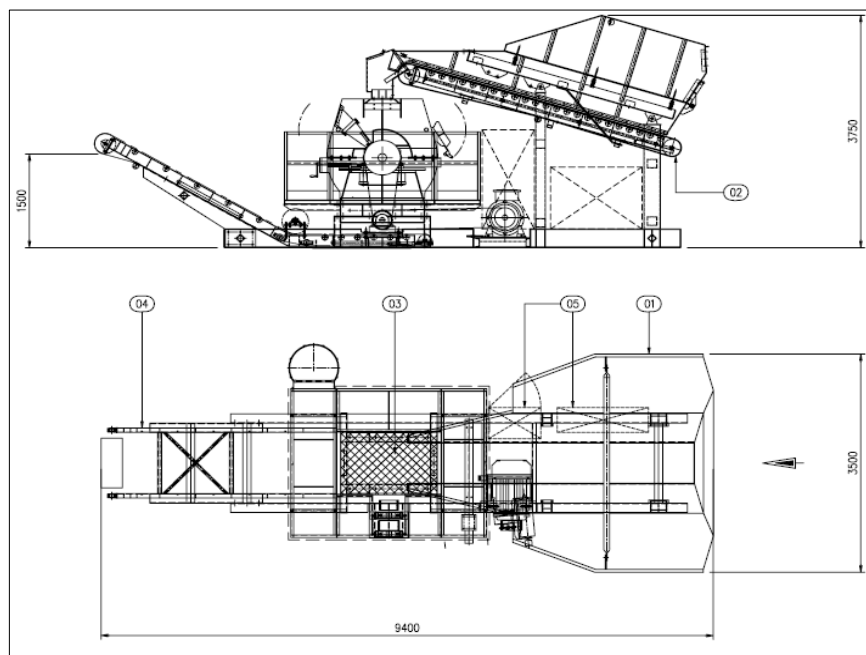
Thanks to various possibilities of machine's configuration, the system is studied to permit adjustments on the feeding material and on the output product.

The unit has complete with active and passive operator's safety catch and vertical shaft impact crusher monitoring.



### TECHNICAL DATA

Crushing machine (pos 03)	Reversible impact crusher with motor 132 Kw + inverter	
Hopper (pos 01)	Max feeding size (mm)	120
	Production (t/h)	30 - 80
	Capacity (m <sup>3</sup> )	8
Feeding conveyor belt (pos 02)	Width x Length (mm)	800 x 4200 (variable capacity) 7,5 kw + inverter
Extracting conveyor belt from crusher (pos 05)	Width x Length (mm)	800 x 6400 (variable capacity) 7,5 kW
Electric cabinet with control panel on board (pos 06)		
External power supply	Max power (kW)	147
Total weight	(kg)	15000



THE ABOVE DATA ARE NOT BINDING AND THEY CAN BE ALTERED WITHOUT NOTICE

### OPTIONALS:

- Dust suppression system
- Remote control

MAITEK s.r.l. - Ponterio di San Costanzo (PU) - 61039 - Italy

Tel: +39 (0721) 959340

E-mail: [info@maiteksrl.com](mailto:info@maiteksrl.com)

Fax: +39 (0721) 936623

Web site: [www.maiteksrl.com](http://www.maiteksrl.com)



# MGG - TYRED CRUSHING AND SCREENING UNIT

## Tyred mobile unit with vertical shaft impact crusher and screen

The tyred mobile secondary / tertiary crushing and screening unit, electrically operated, is equipped with vertical shaft impact crusher and inclined screen.

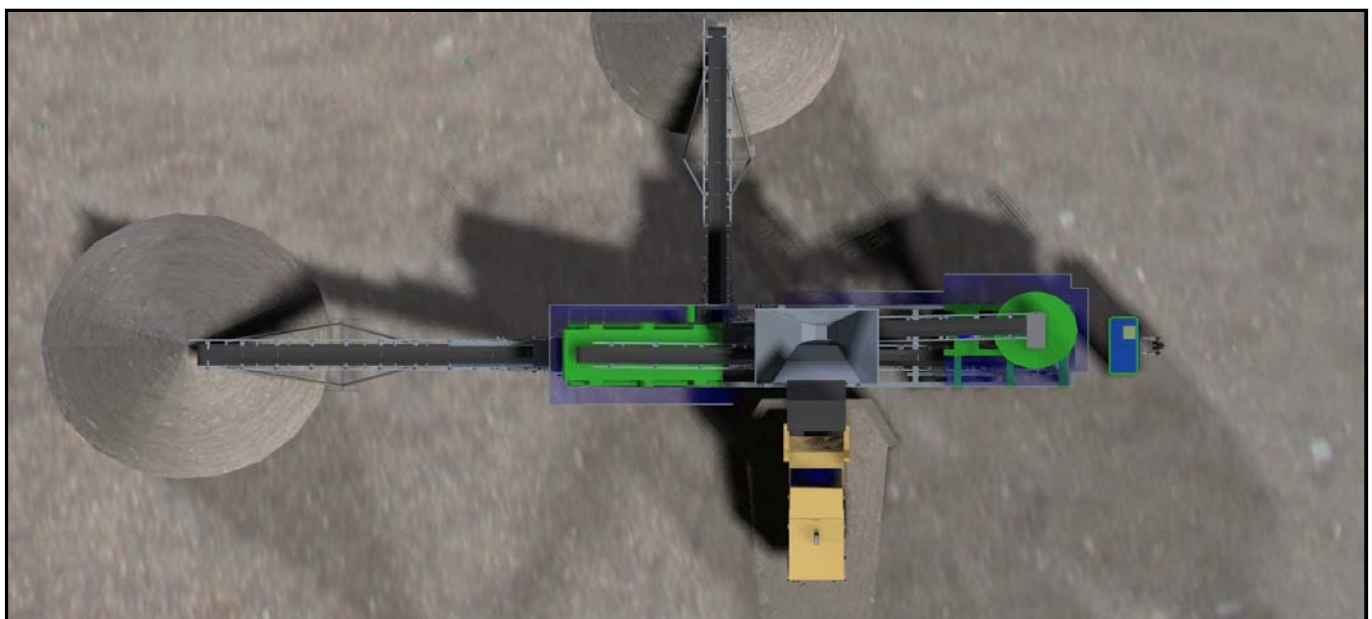
Thanks to possibility in making different adjustments and configurations on the machines, the system is studied to obtain a very flexible use.

An inverter permits the impact crusher driving.

This unit has got hydraulic system for auxiliary services and operator's safety coach, it is also approved for running on roads.



TECHNICAL DATA	Max feeding size (mm)	40
	Production (t/h)	30-120
	Output size : it depends on feeding size and on adjustments	
Feeding hopper with double discharge chutes equipped with electric guillotines	Capacity (m <sup>3</sup> )	6
Crushing machine	Vertical shaft impact crusher BD8 type	
Extracting conveyor belt from crusher	Width x Length (mm)	650 x 1400
Screening machine	Free oscillation inclined vibration screen 1500 x 4000 with 2 decks	
Conveyor belt (from screen to crusher)	Width x Length (mm)	500 x 8400
Conveyor belt (from crusher to screen)	Width x Length (mm)	500 x 13400
Extracting conveyor belt from screen	Width x Length (mm)	1000 x 4000
Electric cabinet with control panel	Inverter-driven crusher	
External power supply (including the supply to the stocking conveyor belts)	Installed power (kW)	164
Overall dimensions when working (stocking conveyor belts excluded)	Width x Length x Height (mm)	3880 x 15350 x 4870



THE ABOVE DATA ARE NOT BINDING AND THEY CAN BE ALTERED WITHOUT NOTICE

MAITEK s.r.l. - Ponterio di San Costanzo (PU) - 61039 - Italy

Tel: +39 (0721) 959340

Fax: +39 (0721) 936623

E-mail: [info@maiteksrl.com](mailto:info@maiteksrl.com)

Web site: [www.maiteksrl.com](http://www.maiteksrl.com)



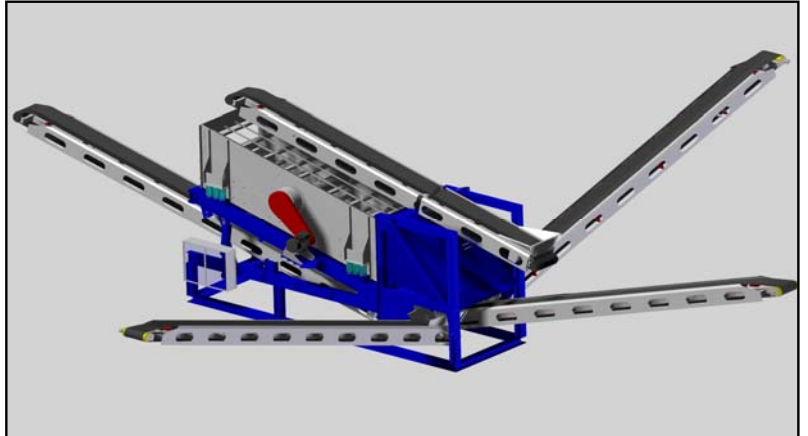
# MGS-MVI - Semi-fixed screening unit

Unit on skid equipped with free oscillating inclined screen

The semi-fixed screening unit is equipped with inclined screen.

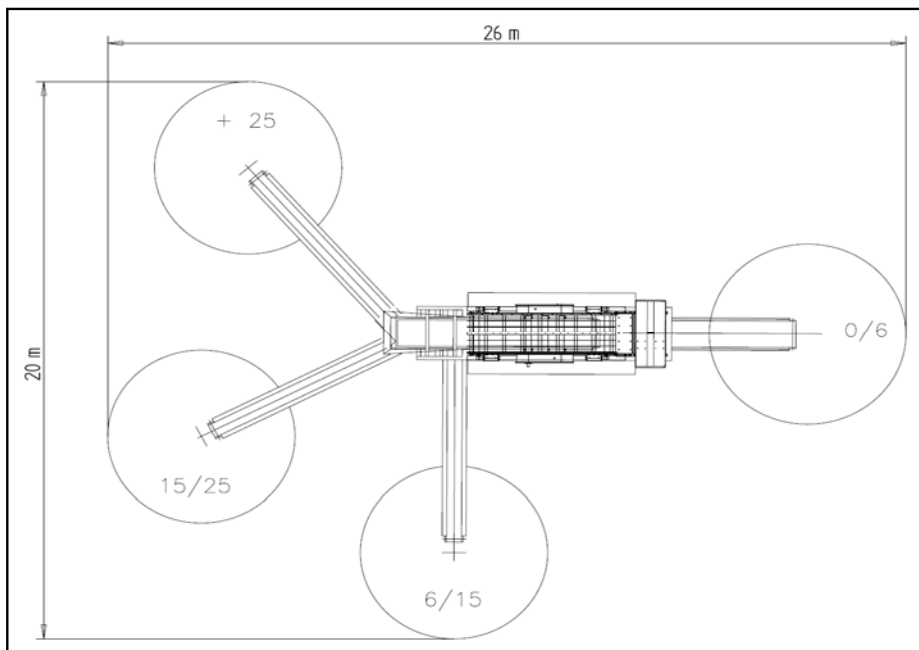
Thanks to the exploitation of the 3 decks screens, the system is studied to obtain a very high output and a big variety of end products.

This unit is complete with electric cabinet with control panel on board and it needs an external power supply.



## TECHNICAL DATA

Screening machine	Inclined screen 1200 x 3000 with 2-3 decks / 1500 x 4000 with 2-3 decks	
	Feeding size (mm)	0 - 200
	Number of output sizes	4
	Production (t/h)	0 - 80 / 0 - 150
Feeding conveyor belt	Width x Length (mm)	650 x 6000
Stocking conveyor belts	N. 2-3 conveyors - width x length (mm)	500 x 7000
Conveyor belt	Width x Length (mm)	600 x 10000
Electric cabinet with control panel on board		
External power supply	Max power (kW)	22 - 27,5
Total weight	(kg)	7300 - 10500



THE ABOVE DATA ARE NOT BINDING AND THEY CAN BE ALTERED WITHOUT NOTICE

## OPTIONALS:

- Dust suppression system

MAITEK s.r.l. - Ponterio di San Costanzo (PU) - 61039 - Italy

Tel: +39 (0721) 959340

E-mail: [info@maiteksrl.com](mailto:info@maiteksrl.com)

Fax: +39 (0721) 936623

Web site: [www.maiteksrl.com](http://www.maiteksrl.com)



# MGG - Tyred crushing and screening unit

## Tyred mobile unit with vertical shaft impact crusher and screen

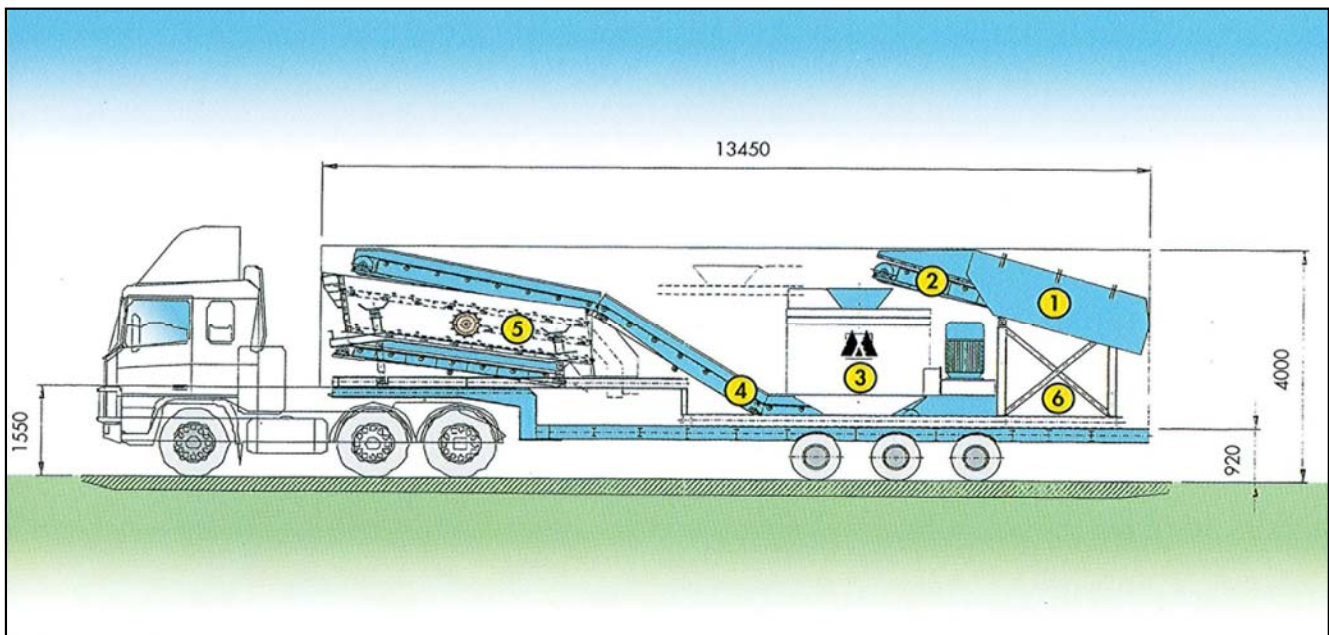
The tyred mobile secondary / tertiary crushing and screening unit, electrically operated, is equipped with vertical shaft impact crusher and inclined screen.

Thanks to possibility in making different adjustments and configurations on the machines, the system is studied to obtain a very flexible use.

An inverter permits the impact crusher driving. This unit has got hydraulic system for auxiliary services and operator's safety coach, it is also approved for running on roads.



TECHNICAL DATA		Feeding size (mm)	0 - 80 / 0 - 130
		Production (t/h)	0 - 150 / 0 - 200
		Output size : it depends on feeding size and on adjustment	
1	Feeding hopper	Capacity (m <sup>3</sup> )	6
2	Feeding conveyor belt	Width x Length (mm)	800 x 4200
3	Crushing machine	Vertical shaft impact crusher MMV-210 / Vertical shaft impact crusher MMV-240	
4	Extracting conveyor belt from crusher	Width x Length (mm)	1200 x 13000
5	Screening machine	Free oscillating inclined screen 1800 x 5000 with 2 / 3 decks	
-	Extracting conveyor belt from screen	Width x Length (mm)	1200 x 5000
-	Conveyor belt for sand extraction	Width x Length (mm)	500 x 8000
-	Stocking conveyor belts	Width x Length (mm)	500 x 6000
6	Electric cabinet with control panel	Inverter-driven impact crusher	
-	External power supply	Installed power (kW)	300 / 320



THE ABOVE DATA ARE NOT BINDING AND THEY CAN BE ALTERED WITHOUT NOTICE

MAITEK s.r.l. - Ponterio di San Costanzo (PU) - 61039 - Italy

Tel: +39 (0721) 959340

E-mail: [info@maitek srl.com](mailto:info@maitek srl.com)

Fax: +39 (0721) 936623

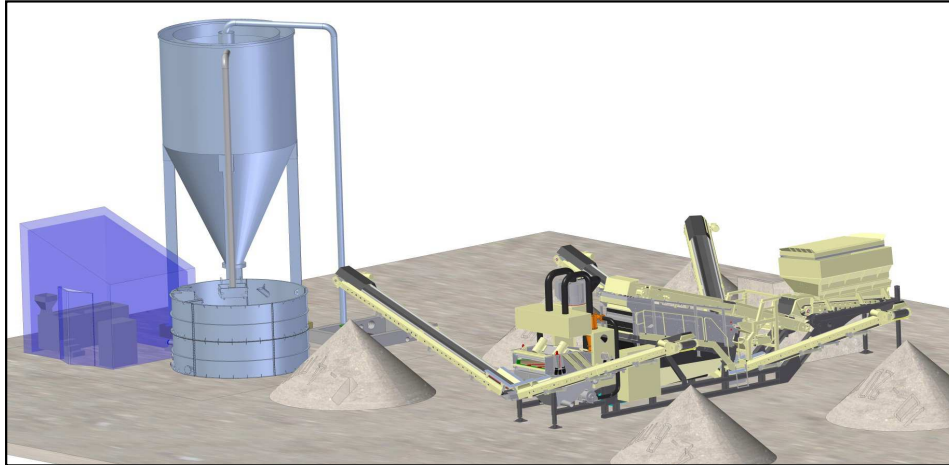
Web site: [www.maitek srl.com](http://www.maitek srl.com)





# MTK 150 - Semi-mobile washing unit

## Semi-mobile screening and washing unit on skids

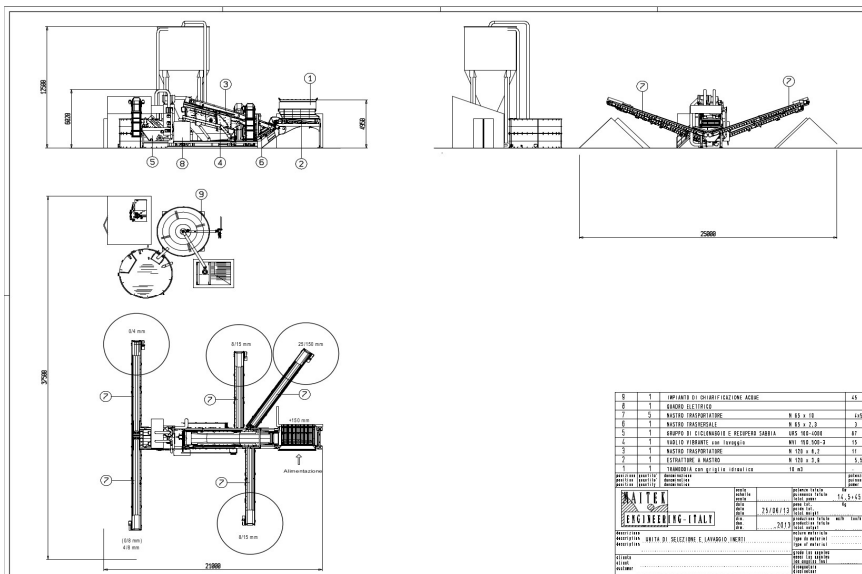


### TECHNICAL DATA

Washing machines	Drier screen (mm)	1800 x 3000
1st phase of washing	Centrifugal pump type 8/6 E-AH	Hydro-cyclone diam. 800 mm
2nd phase of washing	Centrifugal pump type 6/4 D-AH	Hydro-cyclone diam. 500 mm
Screening machine	Vibrating screen with free oscillation 1500 x 5000 - 3 decks	
	Max feeding size (mm)	0 - 150
	Numbers of final selections	4
	Out-put (t/h)	0 - 100 /150
Feeding hopper	Capacity (m <sup>3</sup> )	10
Belt feeder	width x length (mm)	1200 x 3900
Conveyor belt	width x length (mm)	1200 x 8200
Side conveyor belt	width x length (mm)	650 x 2300
N. 5 stocking pile conveyor belts	width x length (mm)	650 x 10000
Power unit	Electrical motor about 141,5 kW	
Total Weight	(kg)	46000

### OPTIONAL:

- Water clarifying plant
- Sludges dewatering plant



THE ABOVE DATA ARE NOT BINDING AND THEY CAN BE ALTERED WITHOUT NOTICE

**MAITEK s.r.l. - Pontorio di San Costanzo (PU) - 61039 - Italy**  
**Tel: +39 (0721) 959340 E-mail: info@maitek srl.com**  
**Fax: +39 (0721) 936623 Web site: www.maitek srl.com**

