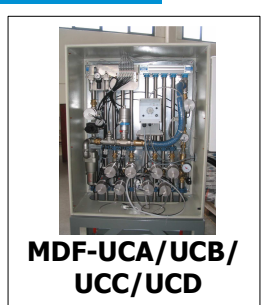
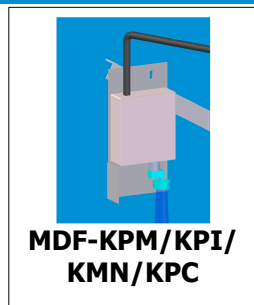
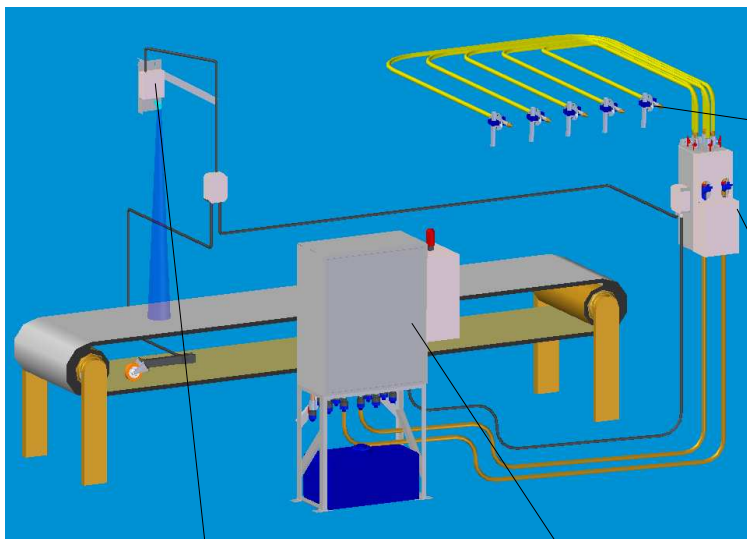
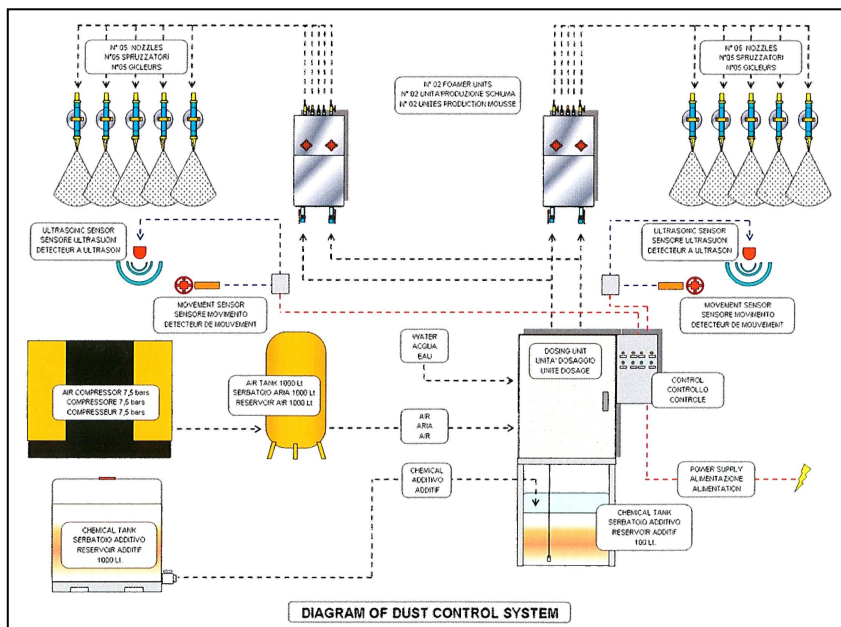




# MDF

## IMPIANTO ABBATTIMENTO POLVERI DUST SUPPRESSION SYSTEM SYSTEME D'ABATTAGE DES POUSSIERS



<b>CONSUMPTION TABLE CONCERNING EVERY NOZZLE</b>	
Water consumption	about from 0,7 to 1,4 litres/min.
Chemical additive consumption	about from 0,2% to 0,5% on the water consumption
Compressed air consumption at 4,5 bar	about 330 litres/min.