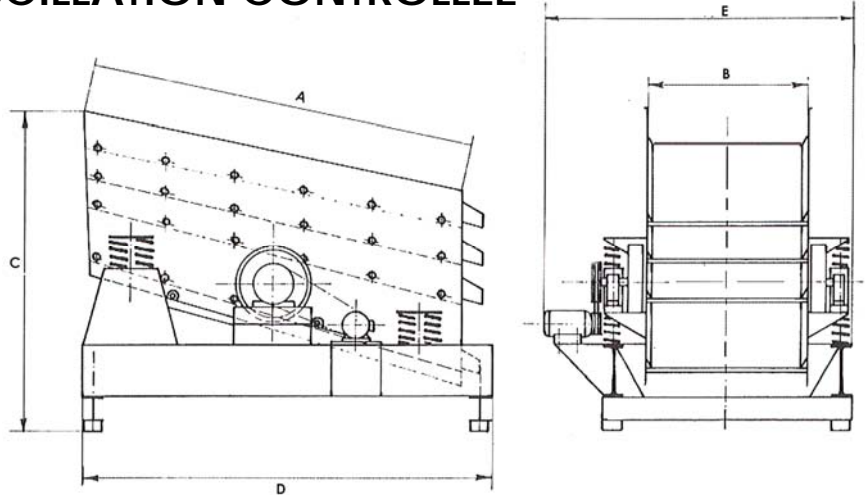
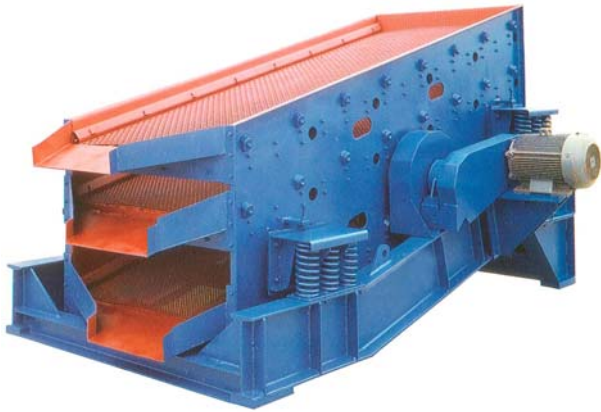




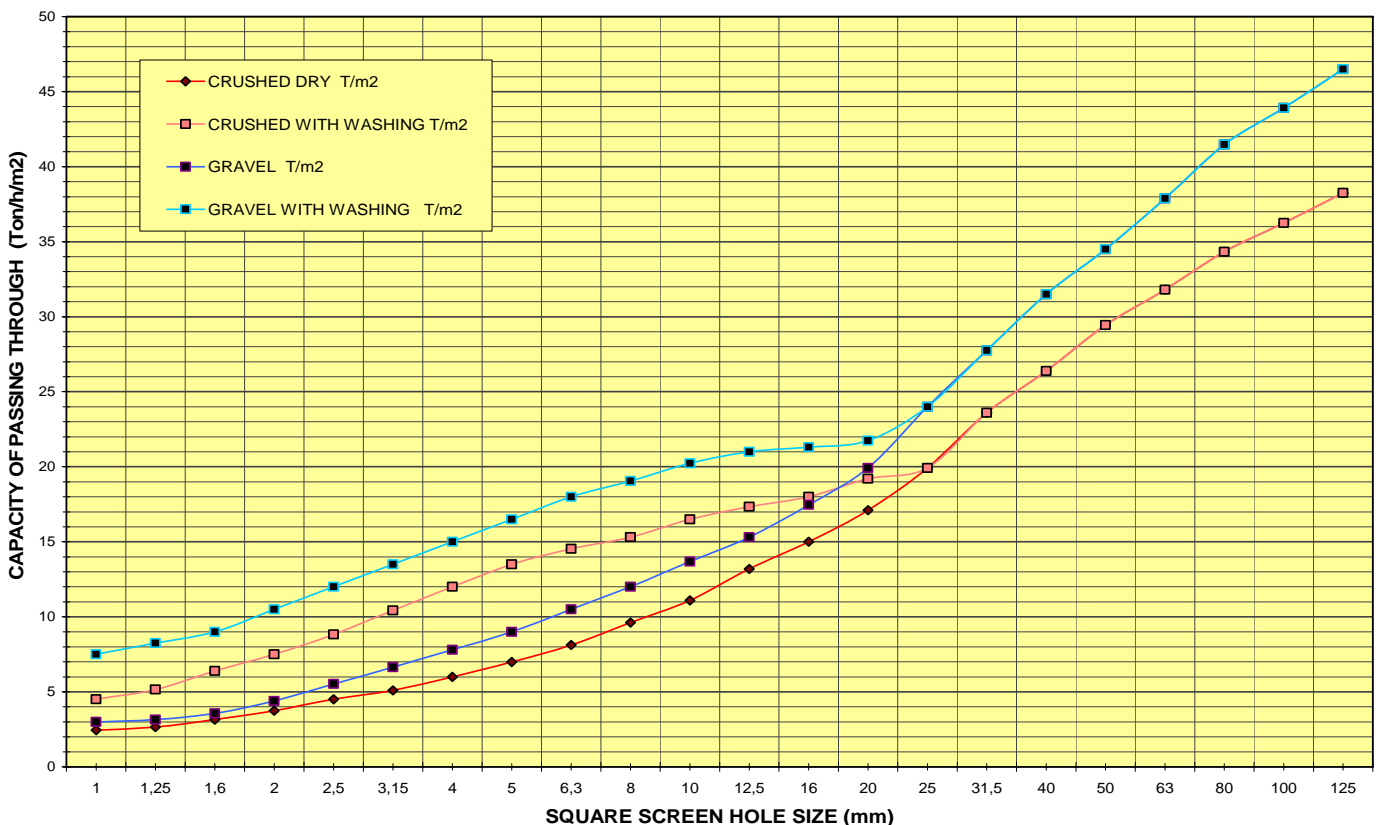
MVW

VAGLIO A OSCILLAZIONE VINCOLATA CONSTRAINED OSCILLATION SCREEN CRIBLE A OSCILLATION CONTROLLEE



Modello Model Modèle	Dimensioni Dimensions Dimensions (mm)	N. piani Nr. decks N. étages	Pezzatura max. alim. Max feeding Size Pièce max aliment. (mm)	Foratura standard Standard hole size Dimension standard des trous (mm)	Portata Capacity Débit (t/h)	Potenza Power Puissance (kW)	Peso Weight Poids (kg)	Dimensioni Dimensions Dimensions (mm)				
								A	B	C	D	E
MVW-150-400	1500 x 4000	3	250	5-60	190	15	5920	4000	1500	4280	2620	2200
MVW-150-400	1500 x 4000	4	250	5-60	190	15	6440	4000	1500	4280	2920	2200
MVW-180-500	1800 x 5000	3	250	5-60	280	22	9050	5000	1800	5200	3260	2500
MVW-180-500	1800 x 5000	4	250	5-60	280	22	9940	5000	1800	5200	3530	2500

PRODUCT CURVES OF SCREENS mod. "MVW"



I DATI SOPRA RIPORTATI NON SONO IMPEGNATIVI E POSSONO SUBIRE VARIAZIONI SENZA PRAEAVVISO. THE ABOVE DATA ARE NOT BINDING AND THEY CAN BE ALTERED WITHOUT NOTICE.
LES DONNÉES SUS-INDIQUÉES NE COMPORTENT AUCUN ENGAGEMENT ET PEUVENT ÊTRE CHANGÉES SANS PRAEAVIS.